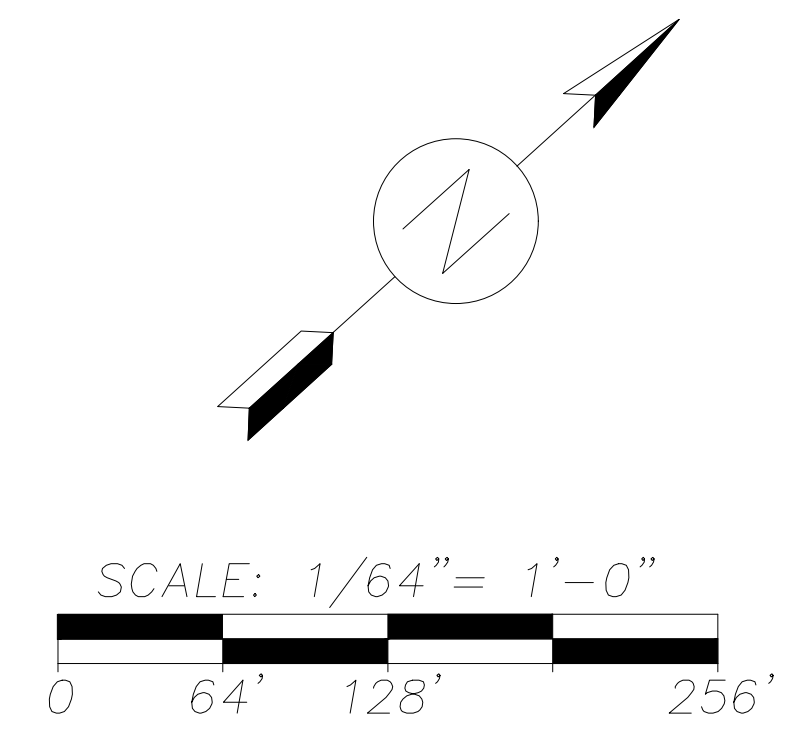


NOTE: This Site Plan is presented solely for the purpose of identifying the approximate location and size of the buildings currently contemplated by the Landlord. Building sizes, site dimension, access and parking areas, existing tenant locations and identities are subject to change at Landlord's sole discretion, except as otherwise expressly restricted in the Lease. No representation, warranty or covenant is to be implied by any other information shown on this Exhibit.



|     |      |          |
|-----|------|----------|
| NO. | DATE | REVISION |
|     |      |          |

The MGHerring Group

**TRICOM**  
Real Estate Group

**MARKET ST**  
AT HEATH BROOK  
SR 200 OCALA, FLORIDA

**LEASE PLAN**  
04-28-17